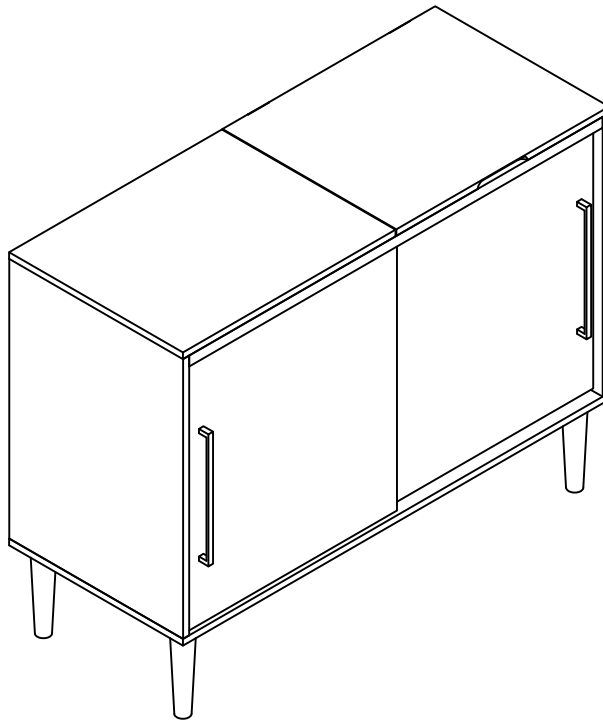


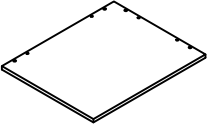
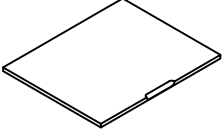
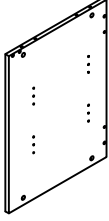
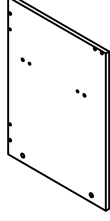
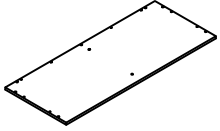
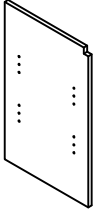
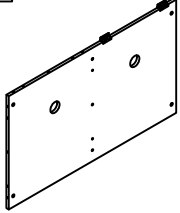
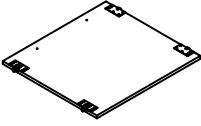
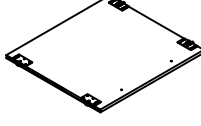
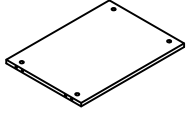
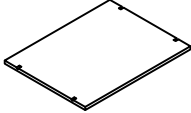
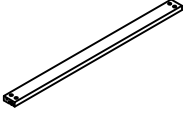

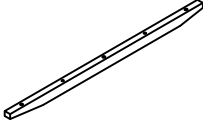


# Media Console



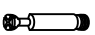


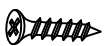

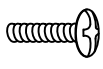


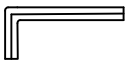
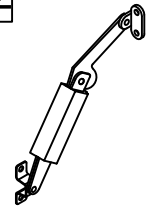

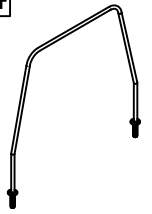

## CF1103



# PART LIST

<p><b>A</b></p> 	<p><b>B</b></p> 	<p><b>C</b></p> 	<p><b>D</b></p> 	<p><b>E</b></p> 
<p>Left Top Panel 1 PC</p>	<p>Right Top Panel 1 PC</p>	<p>Left Side Panel 1 PC</p>	<p>Right Side Panel 1 PC</p>	<p>Bottom Panel 1 PC</p>
<p><b>F</b></p> 	<p><b>G</b></p> 	<p><b>H</b></p> 	<p><b>I</b></p> 	<p><b>J</b></p> 
<p>Dividing Panel 1 PC</p>	<p>Back Panel 1 PC</p>	<p>Left Door Panel 1 PC</p>	<p>Right Door Panel 1 PC</p>	<p>Fixed Shelf 1 PC</p>
<p><b>K</b></p> 	<p><b>L</b></p> 	<p><b>M</b></p> 	<p><b>N</b></p> 	
<p>Adjustable Shelf 2 PCS</p>	<p>Top Rail 1 PC</p>	<p>Leg 4 PCS</p>	<p>Bottom Rail 1 PC</p>	

# HARDWARE LIST

#1		#2		#3		#4		#5	
	M6*13				Ø7*35mm		Ø15*12mm		Ø8*30mm
	Allen Bolt 8 PCS		Hex Nut 8 PCS		Cam Bolt 31 PCS (Extra 2)		Cam Lock 31 PCS (Extra 2)		Wood Dowel 26 PCS (Extra 2)
#6		#7		#8		#9		#10	
	D7*Ø3.5*12				Ø9mm*5/32"*1"		Ø8*5*16mm		D8*Ø4*38
	Screw 10 PCS (Extra 2)		Handle 2 PCS		Round Head Bolt 4 PCS		Shelf Holder 8 PCS		Screw 5 PCS (Extra 2)
#11		#12		#13		#14		#15	
	Allen Wrench 1 PC		Spring Hinge 1 PC		Open End Wrench 1 PC		Metal Wire 4 PCS		Safety Strap Kit 1 PC

## ADDITIONAL TOOLS(Not Provided)

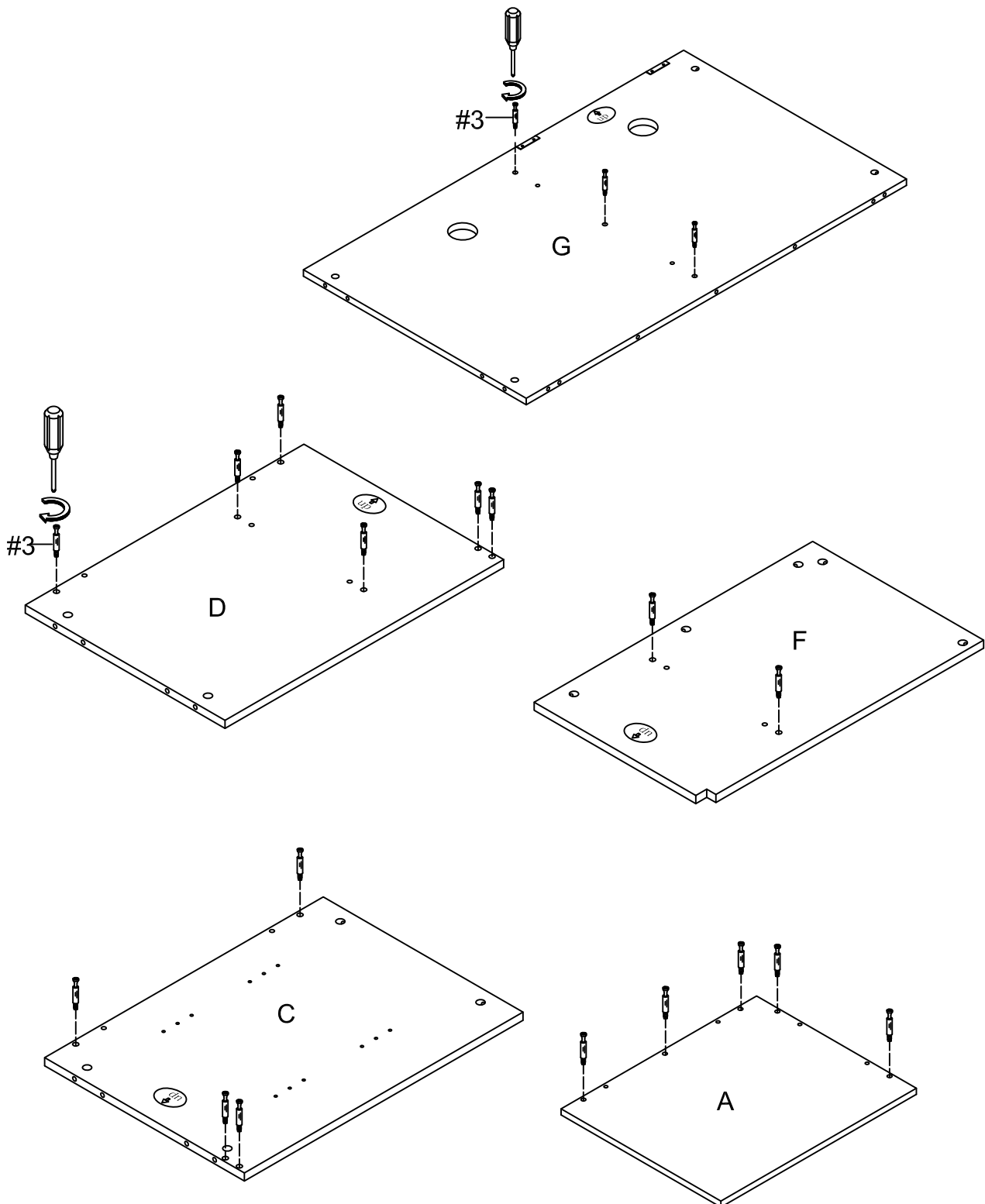
Note:It is not recommended to use power tools during assembly.




Phillips Head Screwdriver

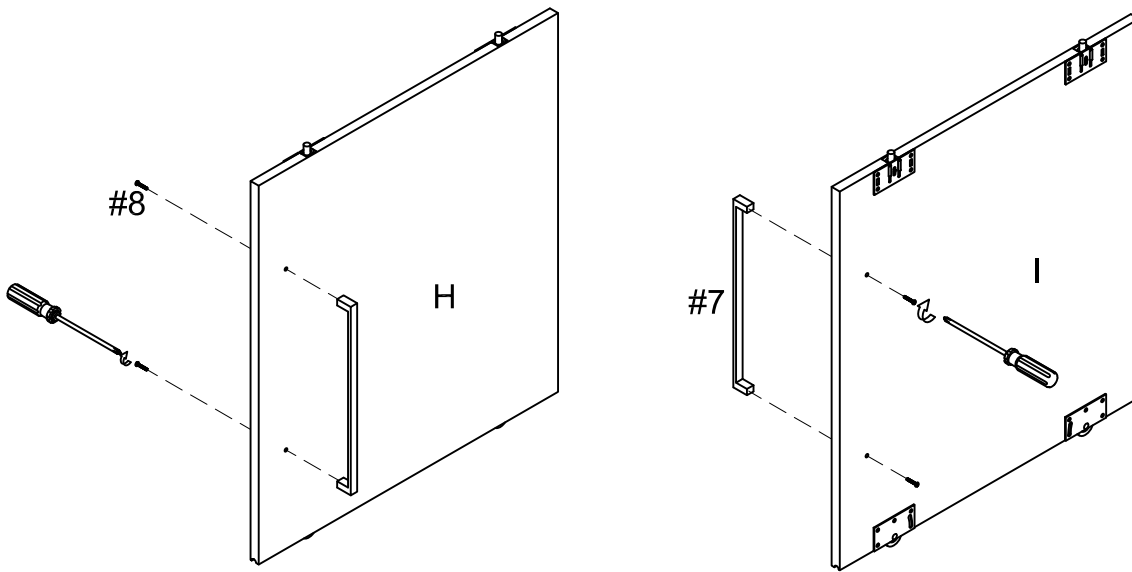
Step 1. Insert cam bolts (part #3) into pre-drilled holes of left top panel (part A), left side panel (part C), right side panel (part D), dividing panel (part F) and back panel (part G) by using phillips head screwdriver.

NOTE: Do not overtighten cam bolts. Stop tightening once threads on cam bolt are no longer visible.



#3  x20

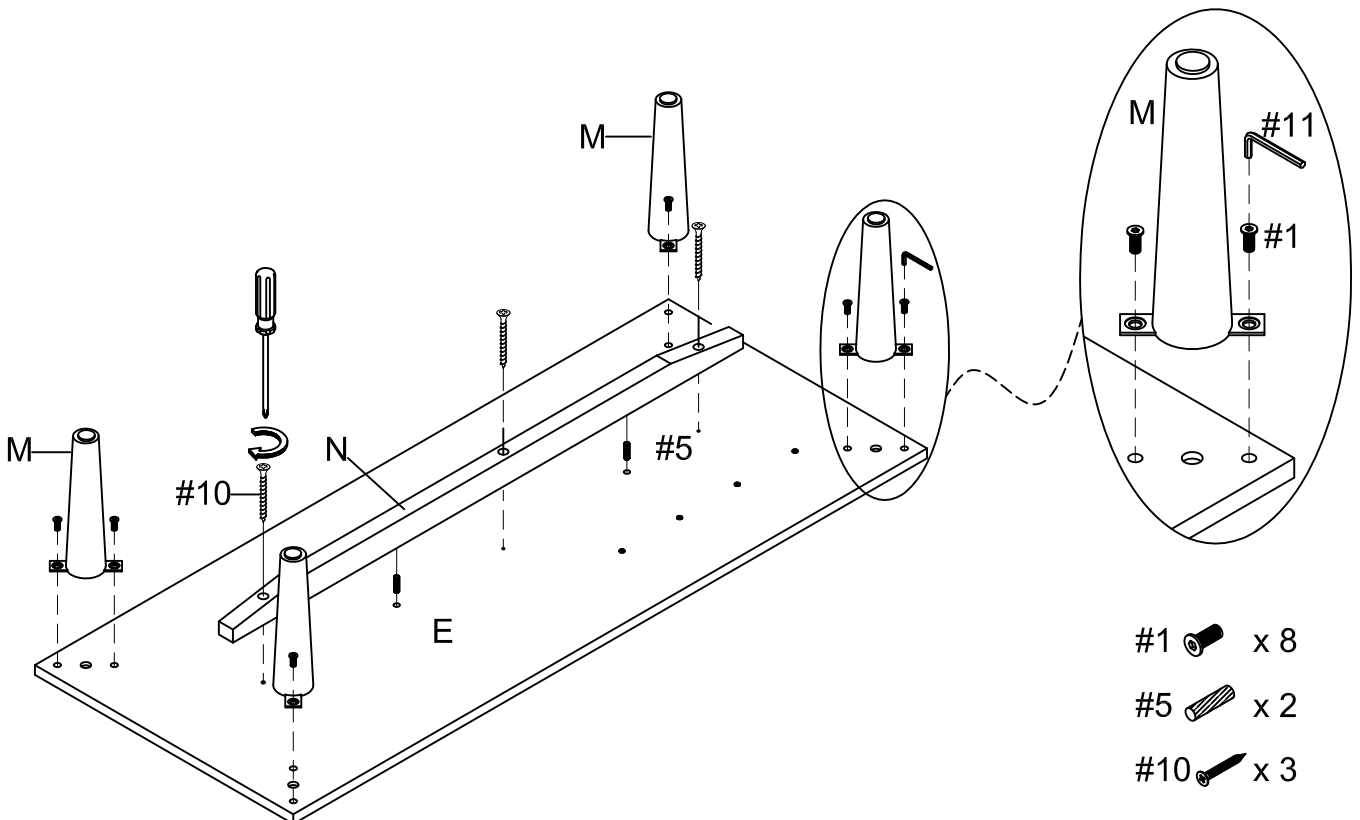
Step 2. Attach handles (part #7) to left door panel (part H) and right door panel (part I) by using round head bolt (part #8) and phillips head screwdriver.



#8  x4

#7  x2

Step 3. Attach bottom rail (part N) to bottom panel (part E) by using wood dowels (part #5), screws (part #10) and phillips head screwdriver. Attach legs (part M) to bottom panel (part E) by using allen bolts (part #1) and allen wrench (part #11).

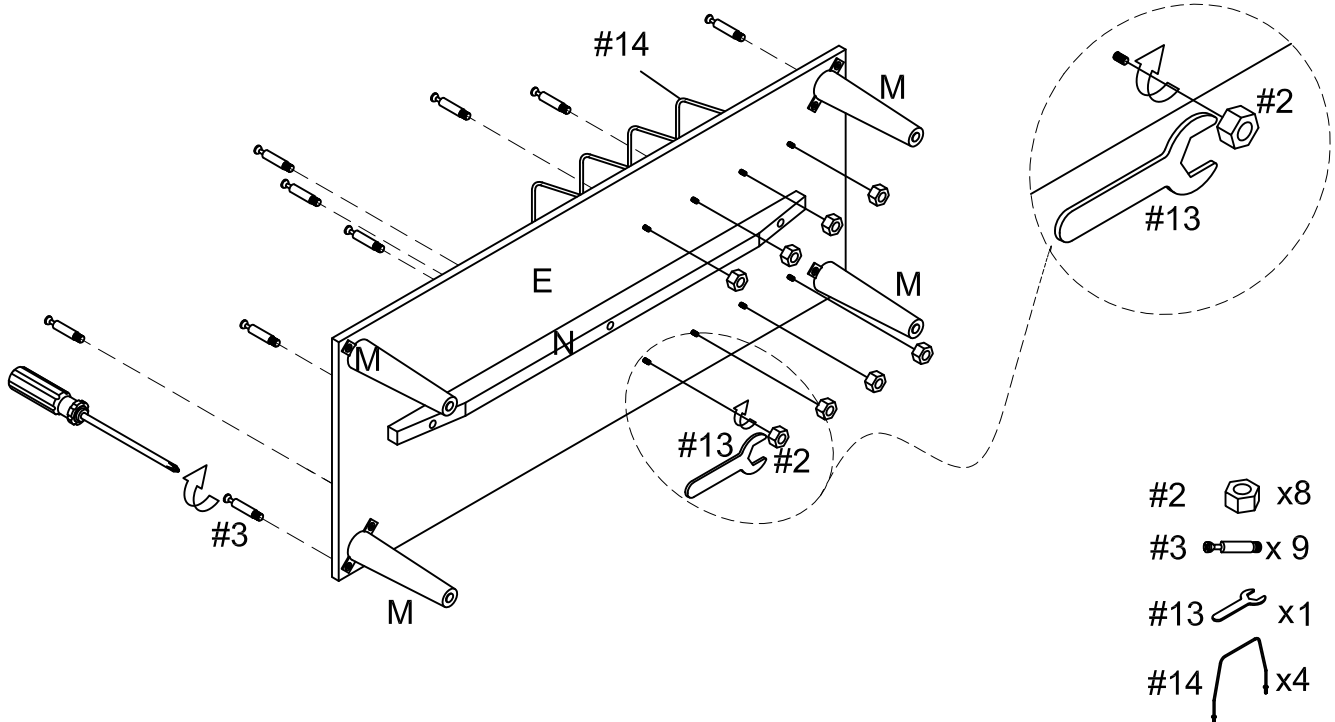


#1  x 8

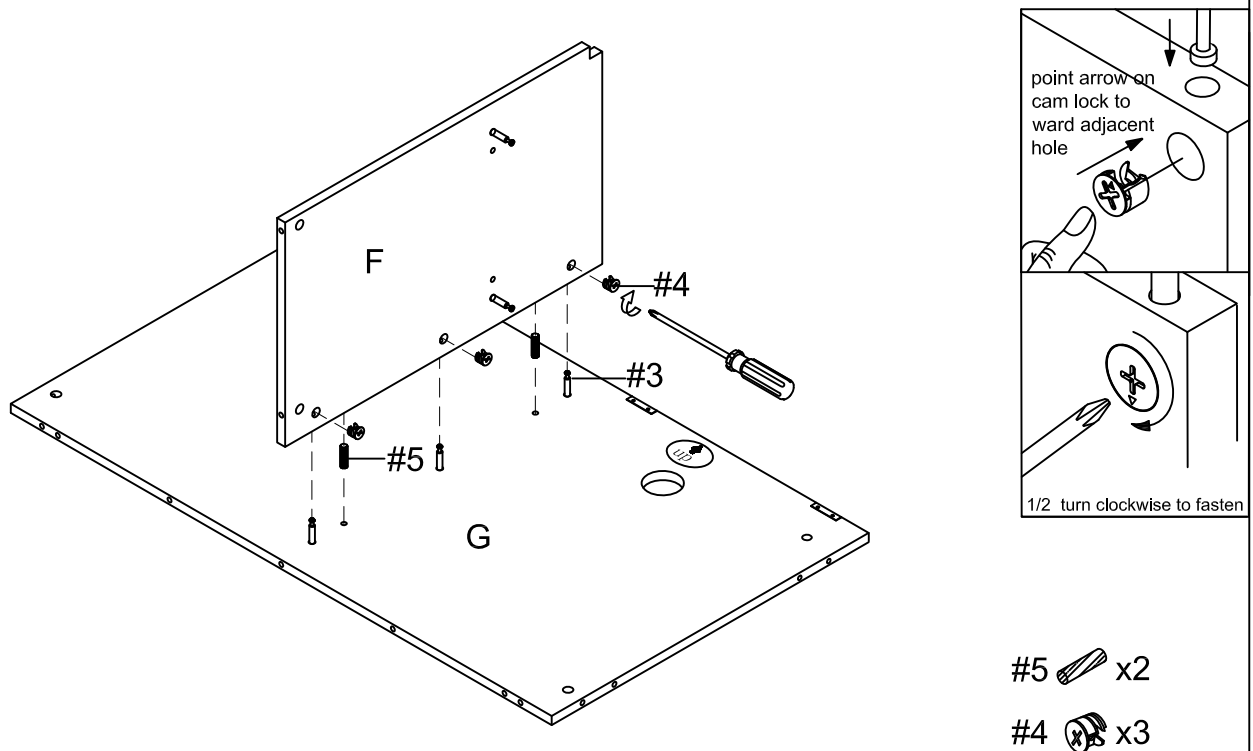
#5  x 2

#10  x 3

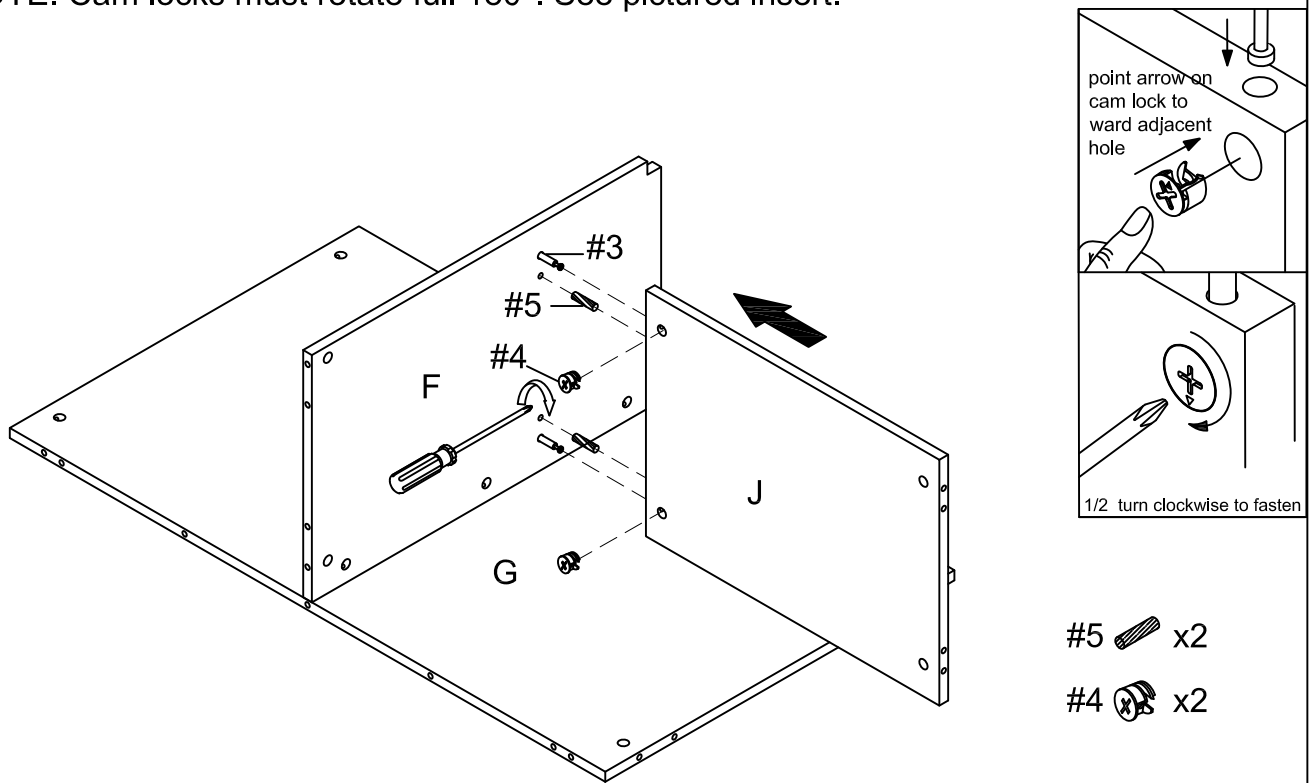
Step 4. Attach metal wires (part #14) to bottom panel (part E) by using hex nut (part #2) and open end wrench (part #13). Insert cam bolts (part #3) into pre-drilled holes of bottom panel (part E) by using phillips head screwdriver as shown.  
 NOTE: Do not overtighten cam bolts. Stop tightening once threads on cam bolt are no longer visible.



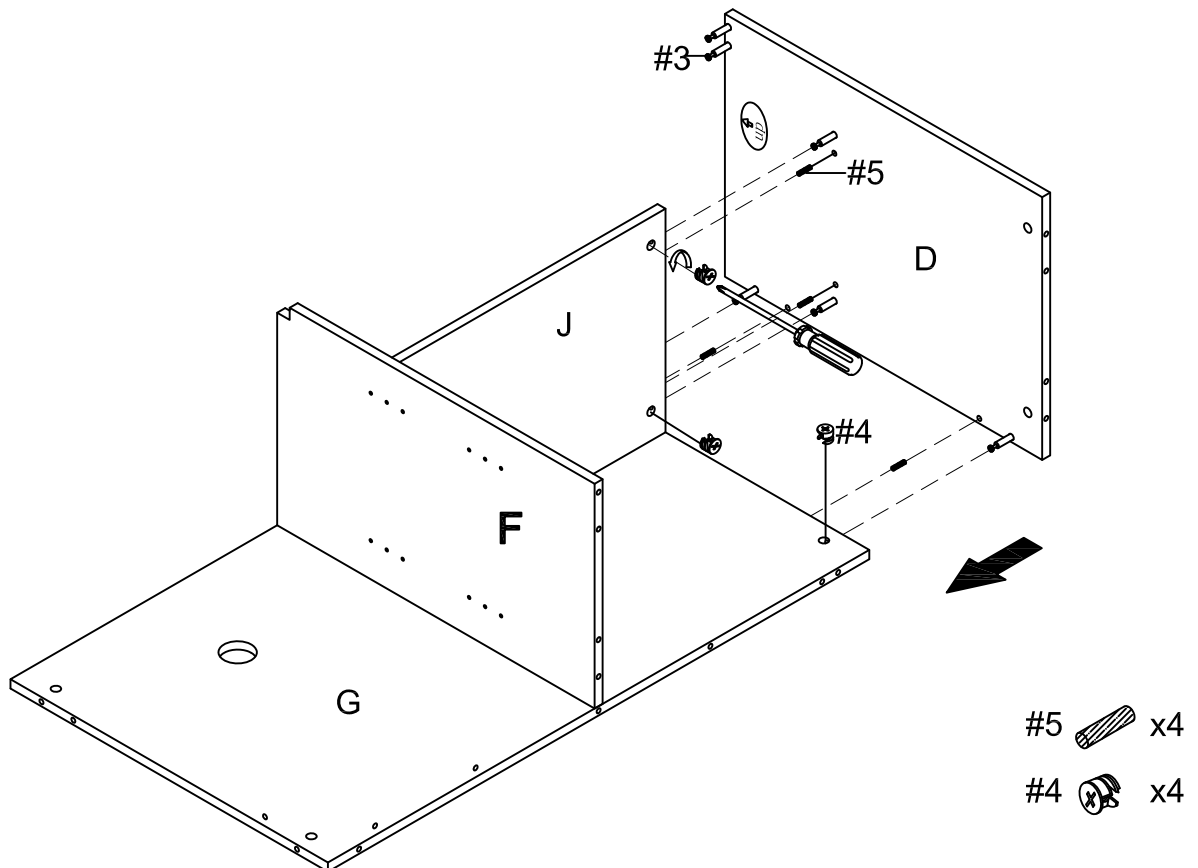
Step 5. Attach dividing panel (part F) to back panel (part G) by using wood dowels (part #5), cam locks (part #4) and phillips head screwdriver.  
 NOTE: Cam locks must rotate full 180°. See pictured insert.



Step 6. Attach fixed shelf (part J) to dividing panel (part F) by using wood dowels (part #5), cam locks (part #4) and phillips head screwdriver as shown.  
 NOTE: Cam locks must rotate full 180°. See pictured insert.

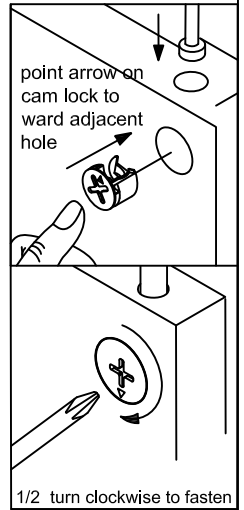
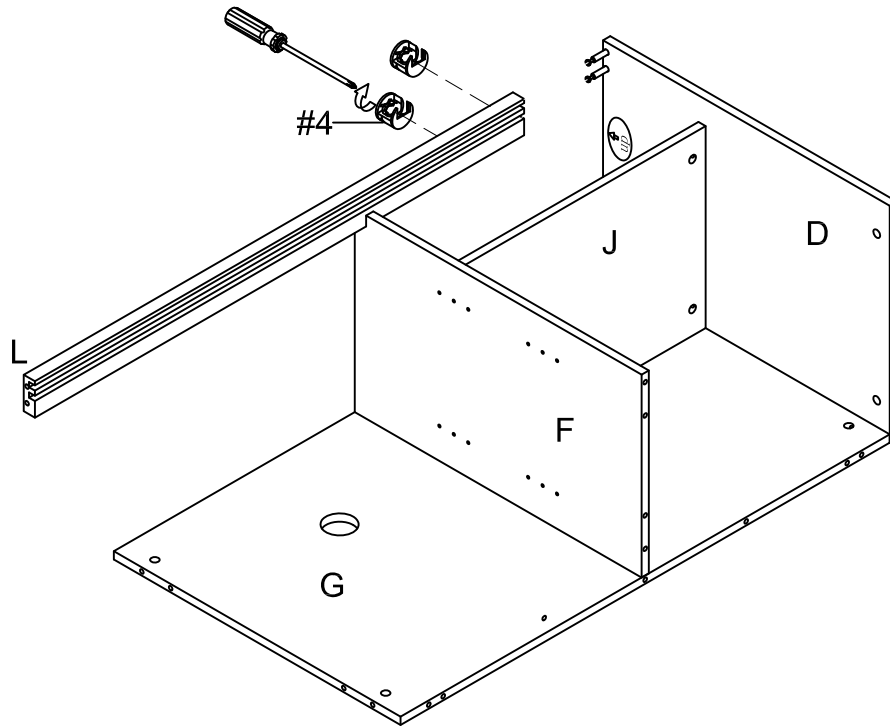


Step 7. Attach right side panel (part D) to back panel (part G) and fixed shelf (part J) by using wood dowels (part #5), cam locks (part #4) and phillips head screwdriver.  
 NOTE: Cam locks must rotate full 180°. See pictured insert.



Step 8. Attach top rail (part L) to right side panel (part D) by using cam locks (part #4) and phillips head screwdriver.

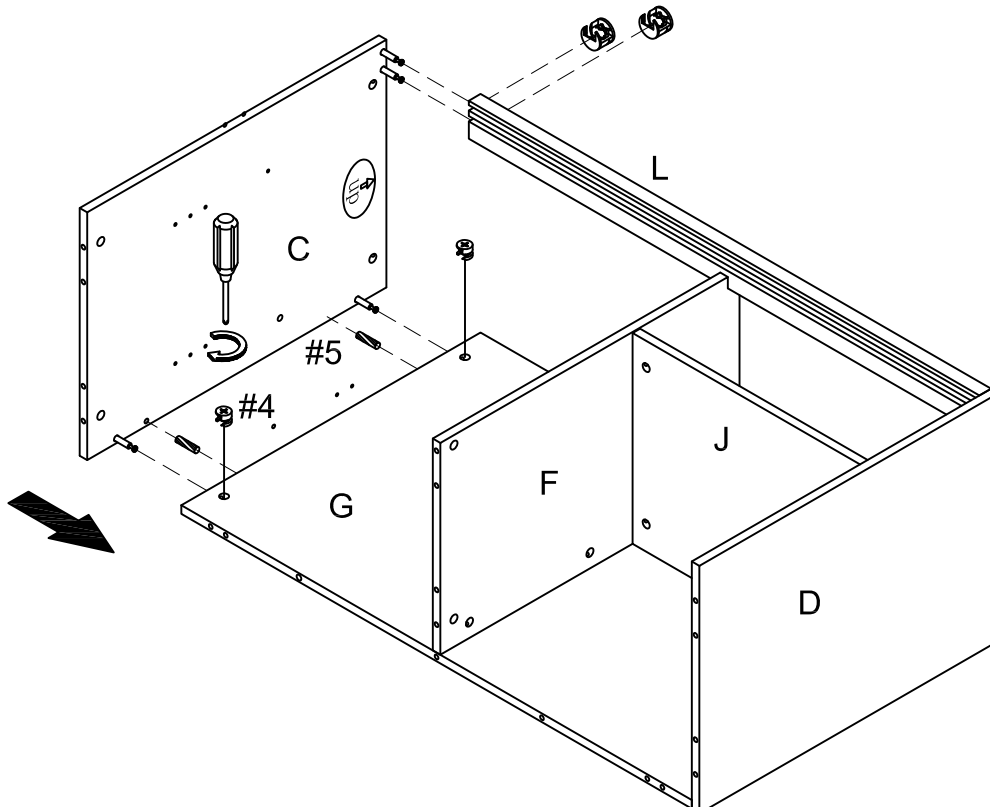
NOTE: Cam locks must rotate full 180°. See pictured insert.



#4  x2

Step 9. Attach left side panel (part C) to top rail (part L) and left side panel (part C) by using wood dowels (part #5), cam locks (part #4) and phillips head screwdriver.

NOTE: Cam locks must rotate full 180°. See pictured insert.

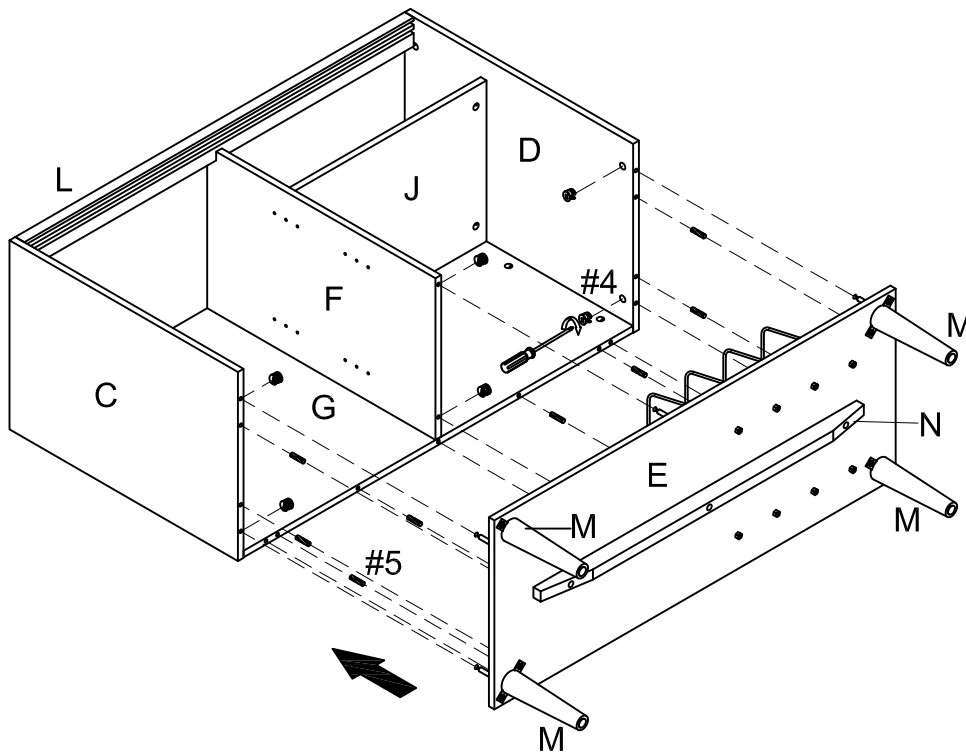




#5  x2

#4  x4

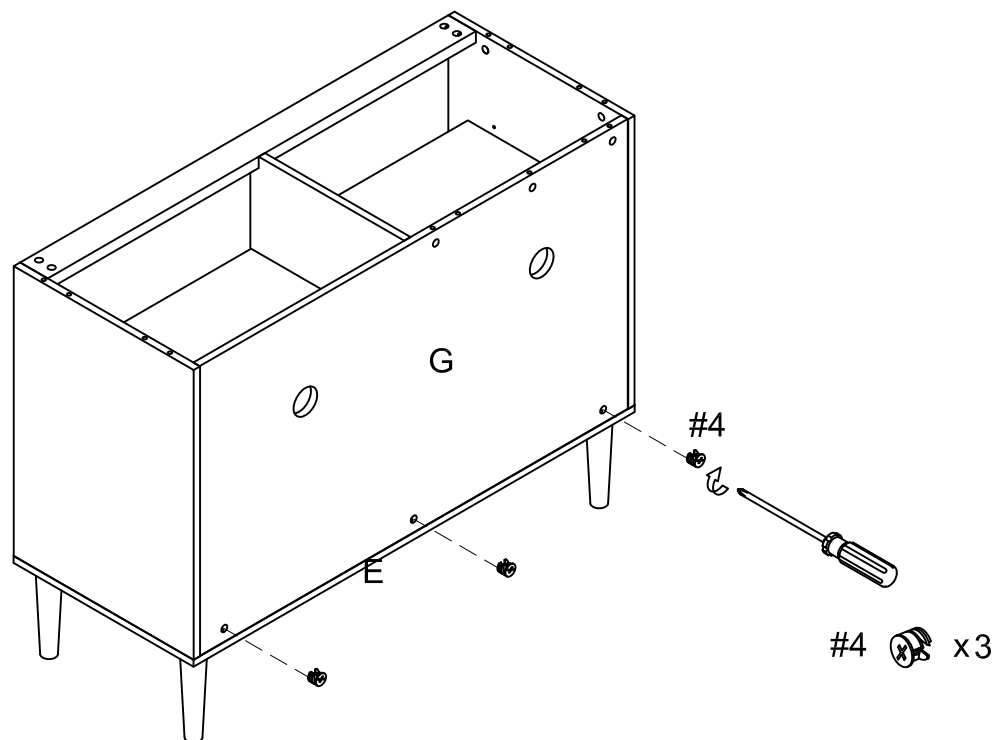


Step 10. Attach bottom panel (part E) to left side panel (part C), dividing panel (part F), right side panel (part D) and back panel (part G) by using wood dowels (part #5), cam locks (part #4) and phillips head screwdriver.  
 NOTE: Cam locks must rotate full 180°. See pictured insert.

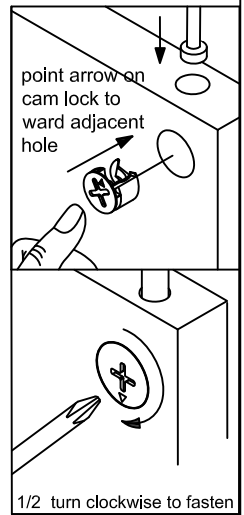
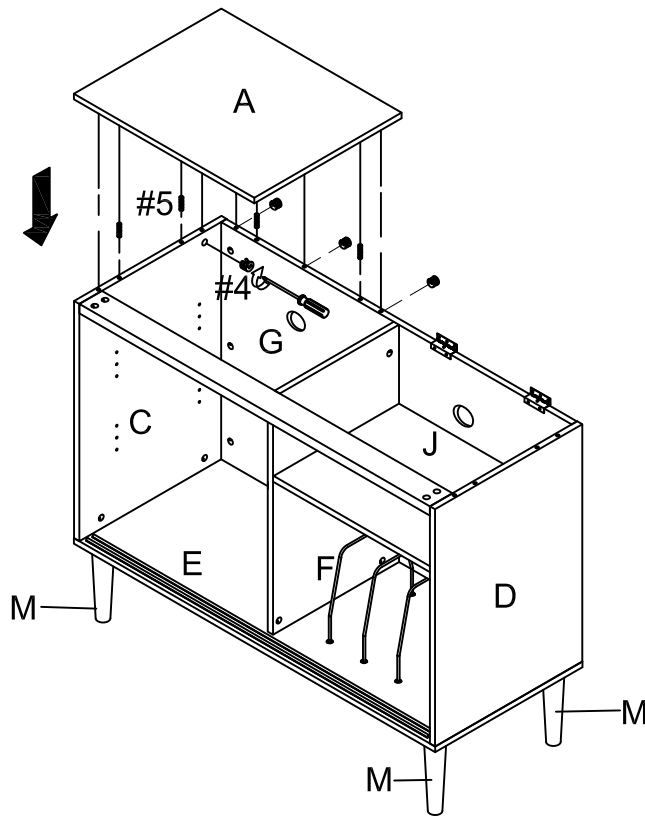


- #5  x8
- #4  x6

Step 11. Carefully turn the unit upright.  
 Insert the cam locks (part #14) into the pre-drilled hole on the bottom of the back panel (part G) and lock by using phillips head screwdriver.  
 NOTE: Cam locks must rotate full 180°. See pictured insert.

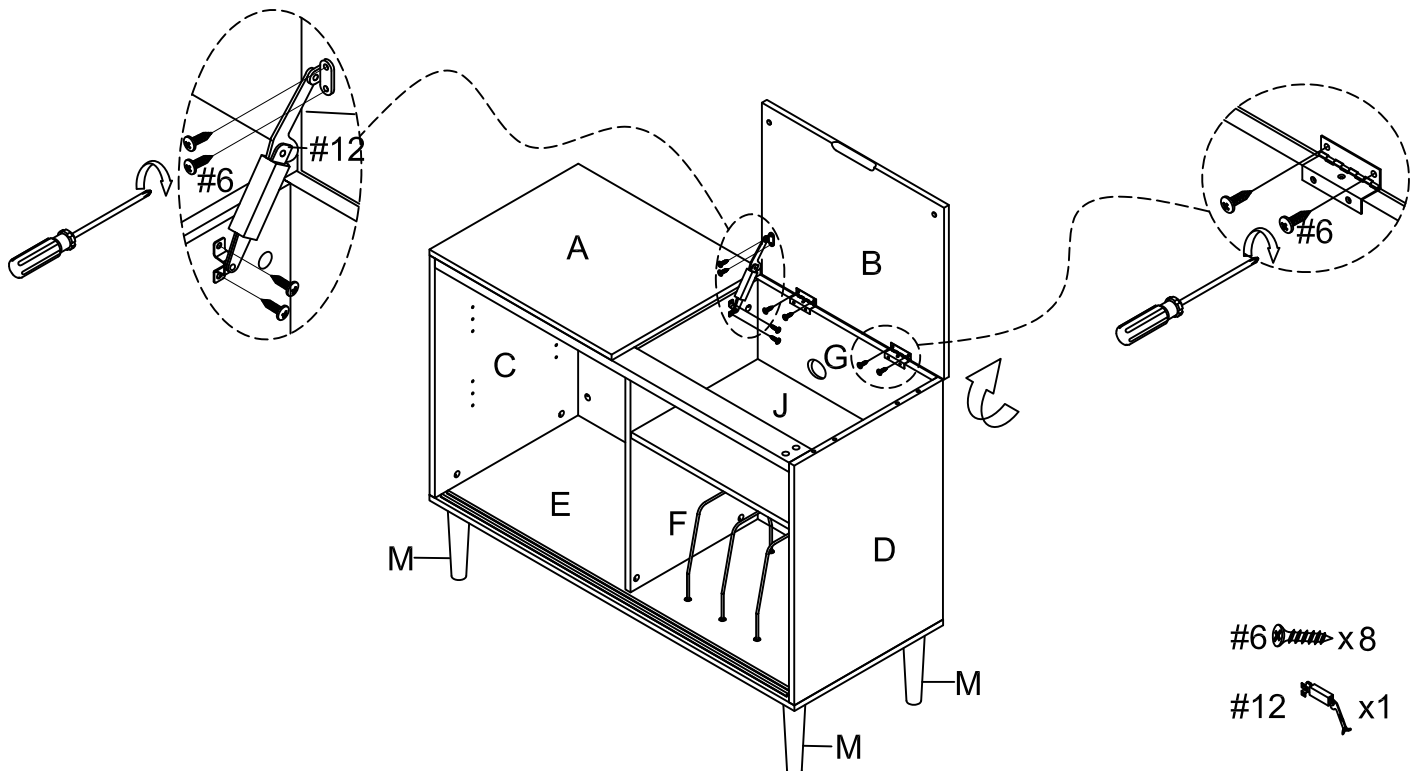


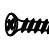

Step 12. Attach left top panel (part A) to left side panel (part C) and back panel (part G) by using wood dowels (part #5), cam locks (part #4) and phillips head screwdriver.  
 NOTE: Cam locks must rotate full 180°. See pictured insert.



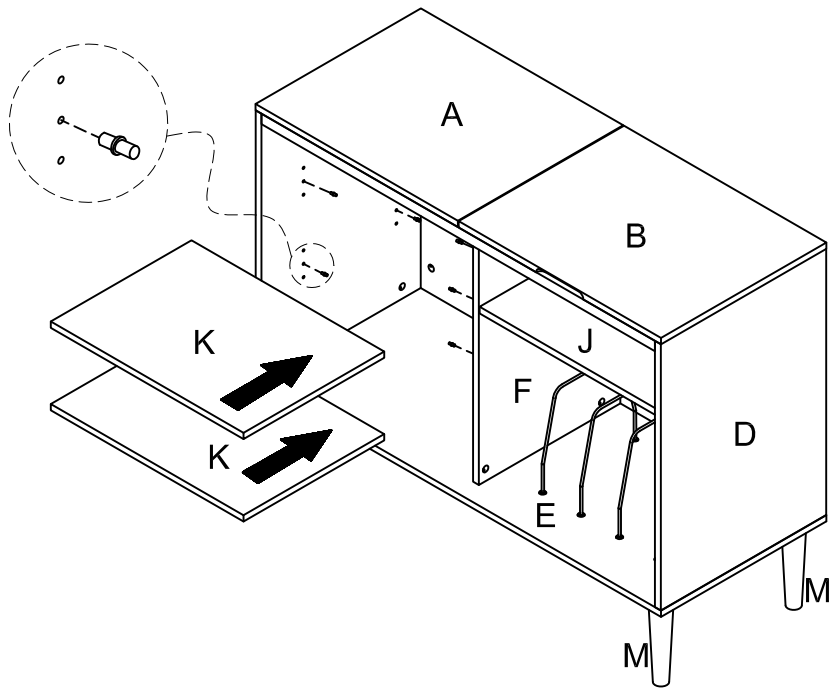
- #5  x4
- #4  x5


Step 13. Attach right top panel (part B) to back panel (part G) by using screws (part #6) and phillips head screwdriver. Then attach right top panel (part B) to dividing panel (part F) by using spring hinge (part #12), screws (part #6) and phillips head screwdriver.



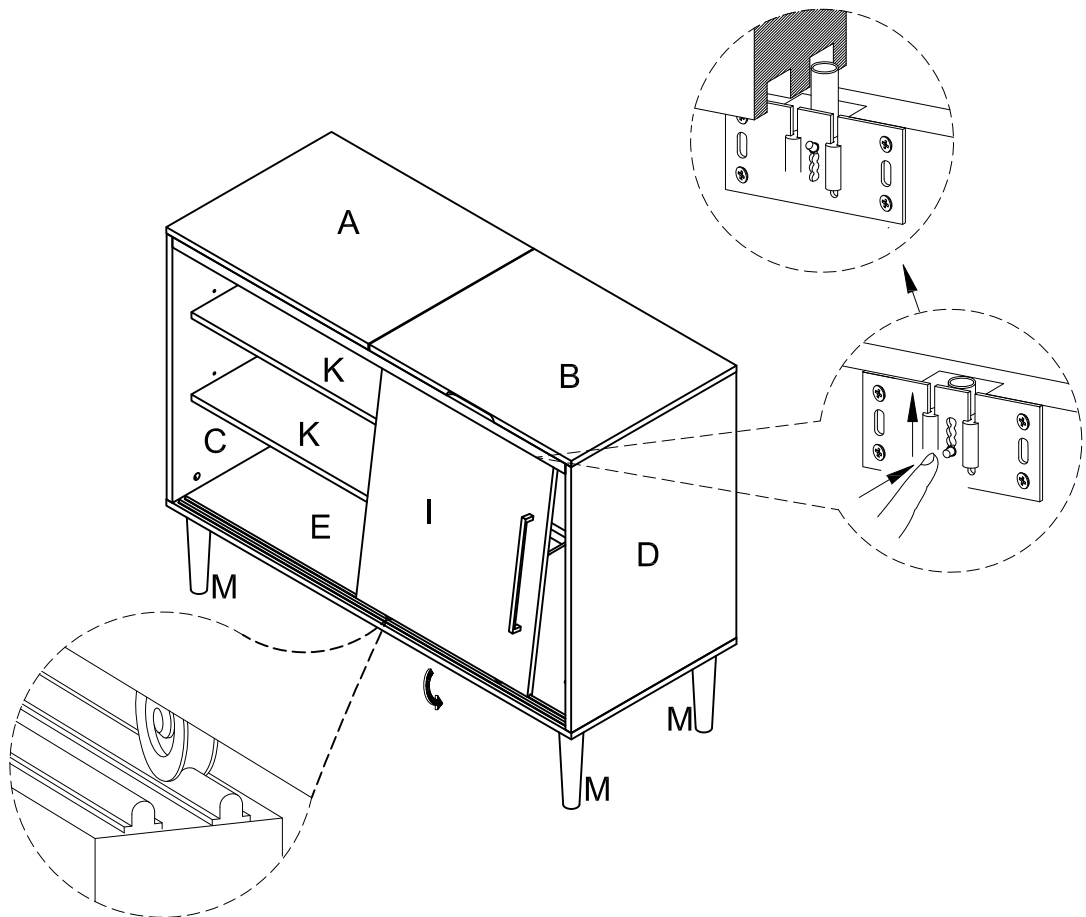
- #6  x8
- #12  x1

Step 14. Insert shelf holders (part #9) into desired position and slide adjustable shelves (part K) into place.

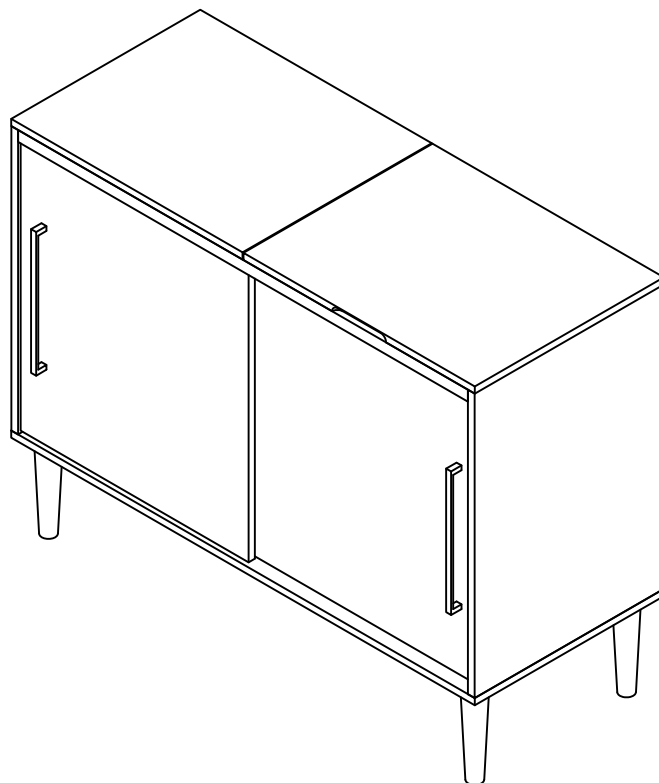
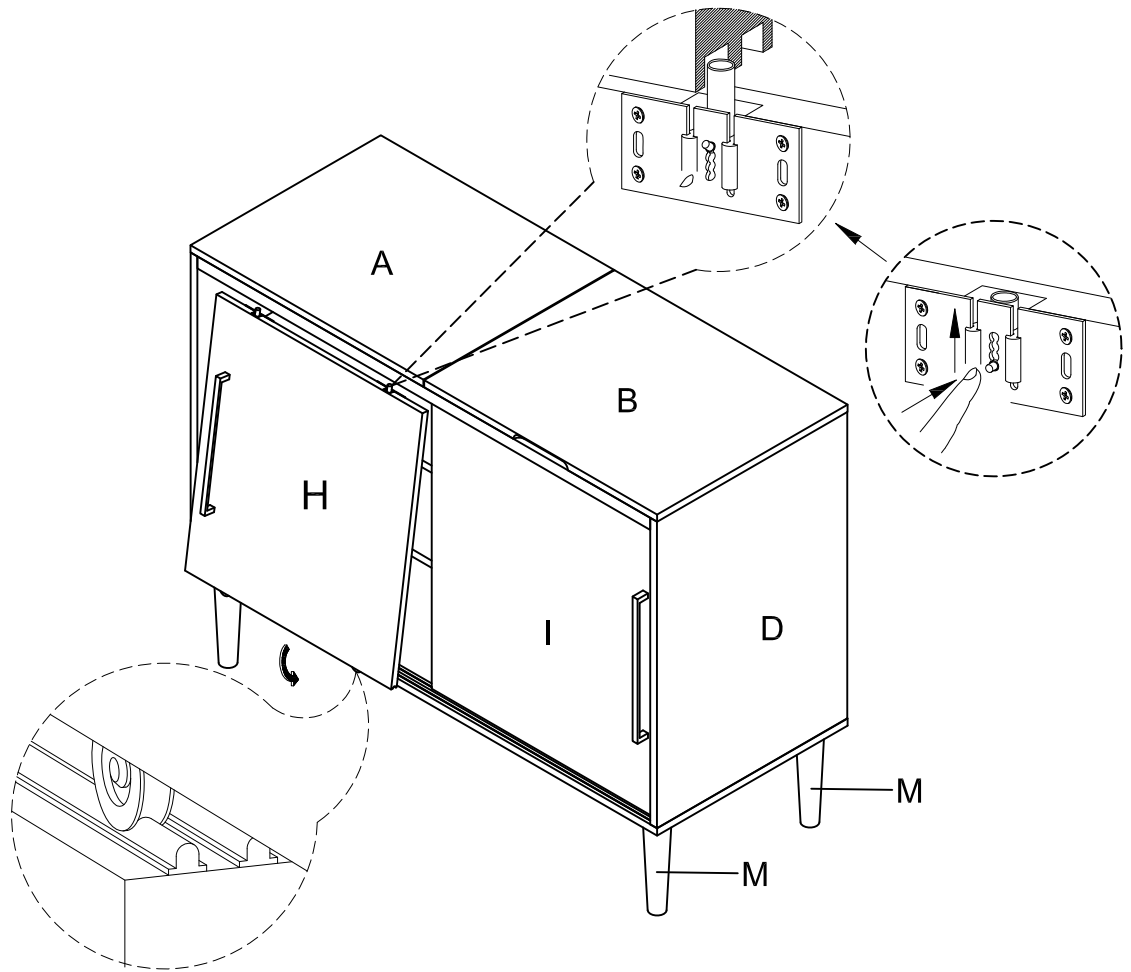


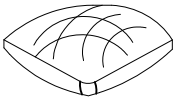
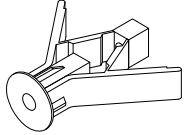



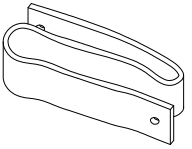
#9  x8

Step 15. Press the upper door pins on right door panel (part I) up.  
Install right door panel (part I) to inner runner of pre-assembled cabinet as shown.



Step 16. Press the upper door pins on left door panel (part H) up.  
Install left door panel (part H) to outer runner of pre-assembled cabinet as shown.



#15	A	B	C	D	E
					
Safety Strap Kit 1 PC	Wall Anchor A x1 PC	Washer B x 2 PCS	Short Screw C x 1 PC D8*3/4"	Long Screw D x 1 PC D8*1-1/2"	Safety Wall Strap E x 1 PC

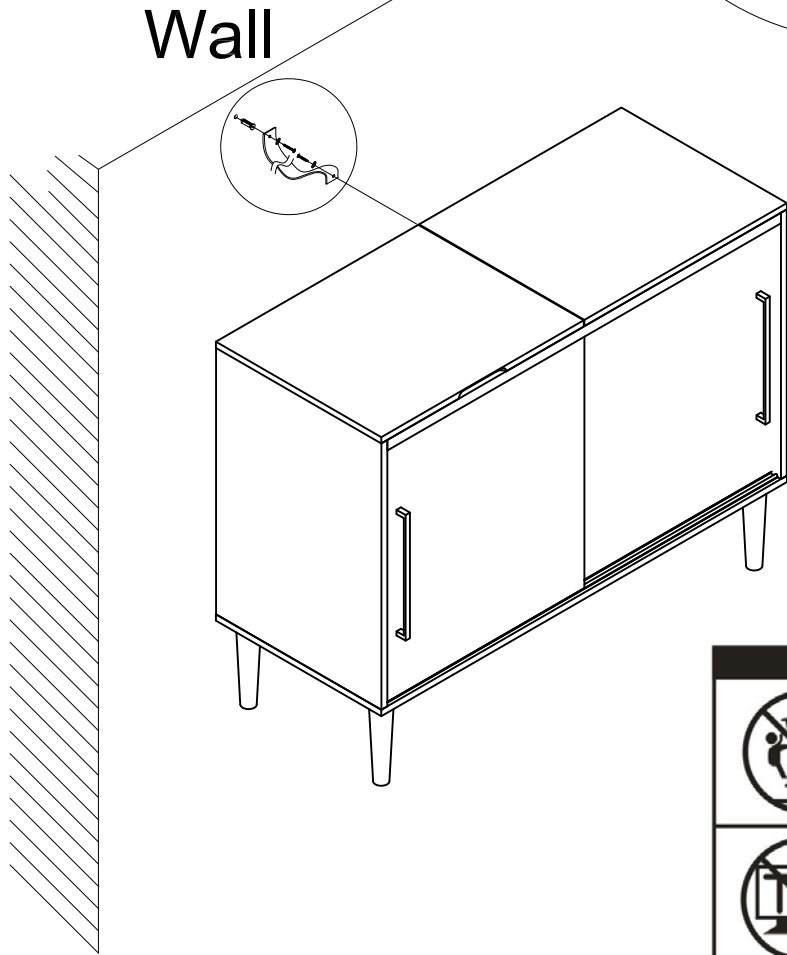
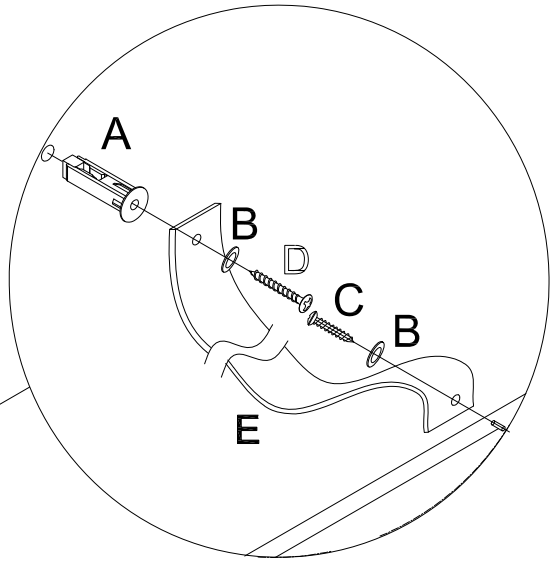
**SAFETY STRAP WALL ASSEMBLY INSTRUCTIONS**

1) Insert short screw (part #C) through washer (part #B) and safety wall strap (part #E) and screw it into the top center of back panel (part G).

2) Drill a 11/32" hole where you want to secure your unit. The hole should be at the same height as the hole in the top center of back panel (part G). Tap wall anchor (part #A) into the hole.

3) Insert long screw (part #D) through a washer (part #B) and wall safety strap (part #E) into wall anchor the top center of back panel (part G).

Note: This item is not intended for clothing storage use.



**⚠ WARNING**

Children have died from furniture tipover. To reduce the risk of furniture tipover:

- ALWAYS install tipover restraint provided.
- NEVER put a TV on this product.
- NEVER allow children to stand, climb or hang on drawers, doors, or shelves.
- NEVER open more than one drawer at a time.
- Place heaviest items in the lowest drawers.

*This is a permanent label. Do not remove!*